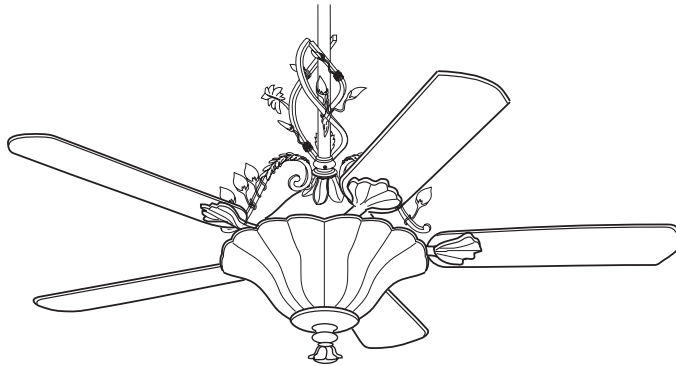


# **READ AND SAVE THESE INSTRUCTIONS**



**EMERSON**<sup>™</sup>

## **VININGS**<sup>™</sup> Ceiling Fan Owner's Manual

**Model Number**

**CF240ATB00**

**Antique Bronze with  
Dark Cherry/Walnut Blades**

Net Weight: 27.0 Lbs.


**WARNING**

**WARNING: To avoid fire, shock, and serious personal injury, follow these instructions.**

### Safety Instructions

1. Read your owner's manual carefully and keep it for future reference.
2. Before servicing or cleaning unit, switch power off at service panel and lock service panel disconnecting means to prevent power from being switched on accidentally. When the service disconnecting means cannot be locked, securely fasten a warning device, such as a tag, to the service panel.
3. Be careful of the fan and blades when cleaning, painting, or working near the fan. Always turn off the power to the ceiling fan before servicing.
4. Do not put anything into the fan blades while they are turning.
5. Do not operate reversing switch until fan blades have come to a complete stop.

### Additional Safety Instructions for Installation

1. To avoid possible shock, be sure electricity is turned off at the fuse box before wiring, and do not operate fan without blades.
2. The installation is to be in accordance with the National Electrical Code, ANSI/NFPA 70-1999 and Local Codes. Use the National Electrical Code if Local Codes do not exist. The ceiling fan must be grounded as a precaution against possible electrical shock. Electrical installation should be made or approved by a licensed electrician.
3. The outlet box and joist must be securely mounted and capable of reliably supporting at least 50 pounds. Use only U.L. outlet boxes listed as "Acceptable for Fan Support", and use the mounting screws provided with the outlet box. Most outlet boxes commonly used for support of light fixtures are not acceptable for fan support and may need to be replaced. Consult a qualified electrician if in doubt.
4. The longer downrod furnished with the fan provides the minimum recommended floor to fan blade clearance for a 9 foot ceiling. The 8" downrod (supplied) must be used for an 8 foot ceiling.
5. The fan must be mounted with the fan blades at least 7 feet from the floor to prevent accidental contact with the fan blades.
6. Follow the recommended instructions for the proper method of wiring your ceiling fan. If you do not know enough about electrical wiring, have your fan installed by a licensed electrician.

**NOTE: This fan is suitable for use with solid-state speed controls.**

**WARNING: To reduce the risk of fire or electric shock, this fan should only be used with fan speed control Model No. UC7067RC, manufactured by Rhine Electric Co., Ltd.**

**WARNING: This product is designed to use only those parts supplied with this product and/or any accessories designated specifically for use with this product by Emerson Electric Co. Substitution of parts or accessories not designated for use with this product by Emerson Electric Co. could result in personal injury or property damage.**

**WARNING: To reduce the risk of personal injury, do not bend the blade flange when installing the blade flanges, balancing the blades or cleaning the fan. Do not insert foreign objects in between rotating fan blades.**

**WARNING: To reduce the risk of electrical shock, this fan must be installed with an isolating wall control/switch.**

#### DATE CODE: \_\_\_\_\_

The date code of this fan may be found on the box, stamped in ink on a white label. You should record this data above and keep it in a safe place for future use.

## This Manual Is Designed to Make it as Easy as Possible for You to Assemble, Install, Operate and Maintain Your Ceiling Fan

### Tools Needed for Assembly

One Phillips head screwdriver  
 One wire stripper  
 One pair of pliers  
 One stepladder  
 Seven wire connectors (supplied)  
 Three 40-watt (maximum) Candelabra bulbs

Installed Wire Length	Wire Size A.W.G.
Up to 50 ft.	14
50-100 ft.	12

### Materials

Wiring, outlet box and box connectors must be of type required by the local code. The minimum wire would be a 3-conductor (2-wire with ground) of the following sizes:



### WARNING

Before assembling your ceiling fan, refer to section on proper method of wiring your fan (page 11). If you feel you do not have enough wiring knowledge or experience, have your fan installed by a licensed electrician.

## Unpacking Instructions

For your convenience, check-off boxes are provided next to each step. As each step is completed, place a check mark in the box. This will insure that all steps have been completed and will be helpful in finding your place should you be interrupted.



### WARNING

Do not install or use fan if any part is damaged or missing. Call Toll-Free:

**1-800-654-3545**



### WARNING

This product is designed to use only those parts supplied with this product and/or any accessories designated specifically for use with this product by Emerson Electric Co. Substitution of parts or accessories not designated for use with this product by Emerson Electric Co. could result in personal injury or property damage.

**NOTE: If you are uncertain of part description, refer to exploded view illustration.**

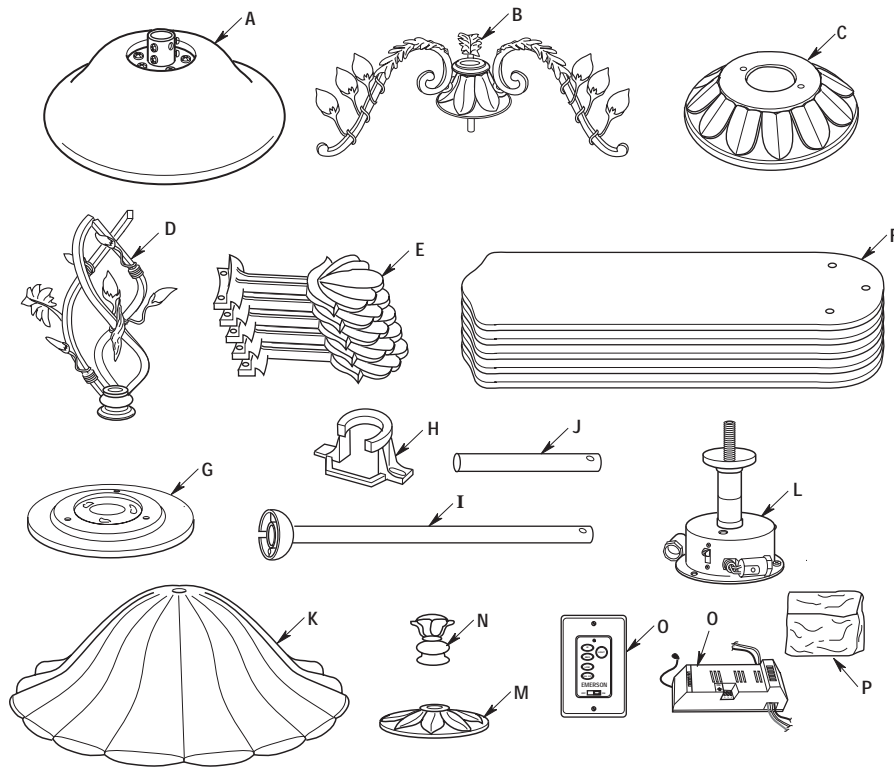
- a. Fan motor and housing assembly
  - b. One decorative coupling cover assembly
  - c. One ceiling cover
  - d. One decorative downrod scroll
  - e. Five blade flanges
  - f. Five fan blades
  - g. One light fitter adapter
  - h. One hanger bracket
  - i. One hanger ball/downrod (16") assembly
  - j. One 8" downrod
  - k. One lower glass
  - l. One light fitter assembly
  - m. One decorative cap
  - n. One finial nut
  - o. One Fan/Light Wall Control (transmitter and receiver)
1. Open styrofoam unit containing fan. Remove top half of styrofoam unit. Remove parts and check to see that you have received the following parts:

- p. One loose parts bag containing:
1. Two 8-32 x 1-1/4" threaded studs
  2. Two knurled knobs
  3. Two lockwashers
  4. Seven wire connectors
  5. One clevis pin/hairpin clip assembly
  6. Eleven 1/4-20 x 13mm oval head screws
  7. Sixteen 10-24 x 8mm truss head screws
  8. Sixteen flat washers
  9. One 1/8-27 nut
  10. One metal washer
  11. One rubber washer
  12. One hex wrench

**NOTE: Place the parts from the loose parts bags in a small container to keep them from being lost.**

2. Remove the fan motor and housing assembly from the protective plastic bag. Place the fan assembly into the lower foam pad with the bottom of the motor facing up.

The lower foam pad serves as a holder for the fan during the first stages of assembly.



## Electrical Requirements

**IMPORTANT: Your ceiling fan will not function properly, and may be damaged, if used with any wall dimmer switch or control other than the Emerson Electric Fan/Light Wall Control supplied with the fan, or an optional Emerson Electric SR100 Remote Control.**

Your new ceiling fan will require a grounded electrical supply line of 120 volts AC, 60 Hz, 15 amp circuit.

The outlet box must be securely anchored and capable of withstanding a load of at least 50 pounds.

### WARNING

To reduce the risk of fire, electric shock, or personal injury, mount fan to outlet box marked "Acceptable for Fan Support", and use screws supplied with outlet box. Most outlet boxes commonly used for support of light fixtures are not acceptable for fan support and may need to be replaced. Consult a qualified electrician if in doubt.

If your fan is to replace an existing ceiling light fixture, turn electricity off at the main fuse or circuit breaker box at this time and remove the existing light fixture.

### WARNING

Turning off wall switch is not sufficient. To avoid possible electrical shock, be sure electricity is turned off at the main fuse or circuit breaker box before wiring. All wiring must be in accordance with National and Local codes and the ceiling fan must be properly grounded as a precaution against possible electrical shock.

- 1. Mount the fan blades to the blade flanges using three 10-24 x 8mm truss head screws and three flat washers (screws and washers supplied) (Figure 1).

### WARNING

To reduce the risk of personal injury, do not bend the blade flange when installing the blade flanges, balancing the blades or cleaning the fan. Do not insert foreign objects in between rotating fan blades.

## Ceiling Fan Procedures

### General

Your Emerson ceiling fan comes supplied with a Fan/Light Wall Control which consists of a wall control (transmitter) and a remote control receiver mounted under the ceiling cover. This system allows you to regulate your ceiling fan speed and light intensity.

**NOTE: An optional Emerson Electric SR100 Remote Control may also be used to control your ceiling fan.**

## How to Assemble Your Ceiling Fan

### WARNING

Turning off wall switch is not sufficient. To avoid possible electrical shock, be sure electricity is turned off at the main fuse or circuit breaker box before wiring. All wiring must be in accordance with National and Local codes and the ceiling fan must be properly grounded as a precaution against possible electrical shock.

**IMPORTANT: Before assembling your ceiling fan, refer to sections "Setting Operating Frequency of Wall Control and Receiver" and "Installation of Wall Control", page 13. These sections instruct you how to: a) Set the operating frequency of the fan/light wall control and the remote control receiver; and b) Install the fan/light wall control in the wall box. You will then be ready to proceed with the assembly and installation of your ceiling fan, as follows:**

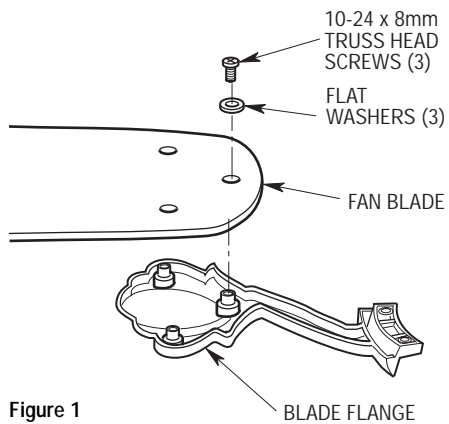


Figure 1

- 2. Remove and discard the four shipping retainers securing the motor hub in the motor housing.

**NOTE: Take care not to scratch the fan housing when installing the blade assemblies.**

- 3. Position the blade flange on the motor hub so that the mounting holes in the blades flange align with the two threaded holes in the motor hub (Figure 2). Securely install two 1/4-20 x 13mm oval head screws (supplied). Repeat this procedure for the remaining four blade assemblies.

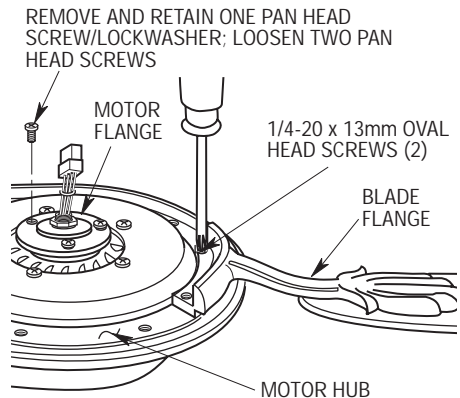


Figure 2

- 4. Remove and retain one of the three pan head screw/lockwashers from the motor flange (Figure 2); loosen the other two pan head screws three or four turns.
- 5. Position the light fitter adapter on the motor flange so that the two screws mate with the two keyhole slots in the light fitter adapter (Figure 3).

**NOTE: Make sure that the lockwashers are positioned between the screw head and the light fitter adapter.**

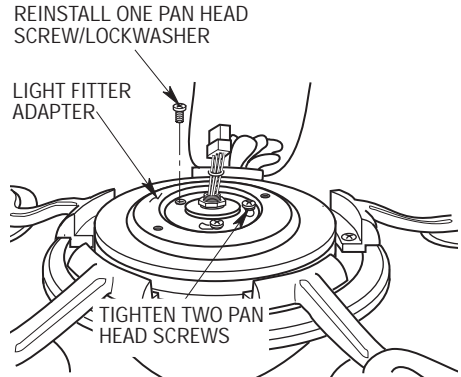


Figure 3

- 6. Turn the light fitter adapter clockwise and tighten both screws (Figure 3). Reinstall the other pan head screw/lockwasher (previously removed) in the remaining hole in the light fitter adapter.
- 7. Carefully rest the light fitter assembly on the adapter, then engage the light fitter connector with the motor connector (Figure 4). The two connectors are keyed and color-coded and must be mated correctly (color-to-color) before they can be engaged. Make sure the connectors are engaged properly.

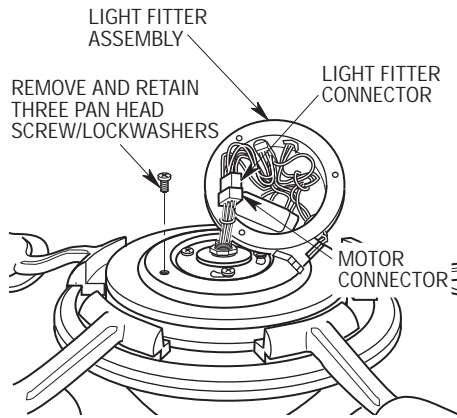


Figure 4

- 8. Remove and retain the three outer screw/lockwashers from the light fitter adapter (Figure 4).
- 9. Position the light fitter assembly on the light fitter adapter. Line up the three holes on the light fitter with the threaded holes in the adapter and reinstall three screw/lockwashers (previously removed) (Figure 5).

**CAUTION:** Before installing and tightening the screws, be sure there are no wires pinched between the light fitter and the light fitter adapter.

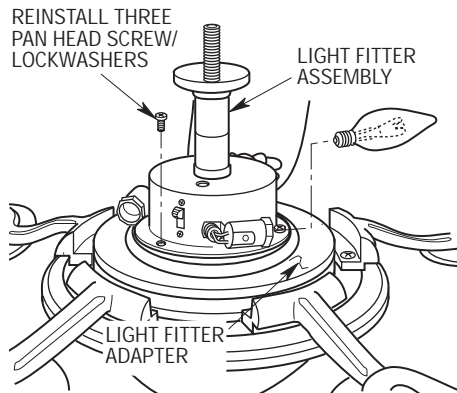


Figure 5

- 10. Position the top and bottom halves of the styrofoam packaging side-by-side on the floor with a six to eight inch gap between the halves (Figure 6). Carefully place the partially assembled ceiling fan on the styrofoam halves, with the light fitter assembly positioned in the gap and the fan assembly resting on the fan blade assemblies.

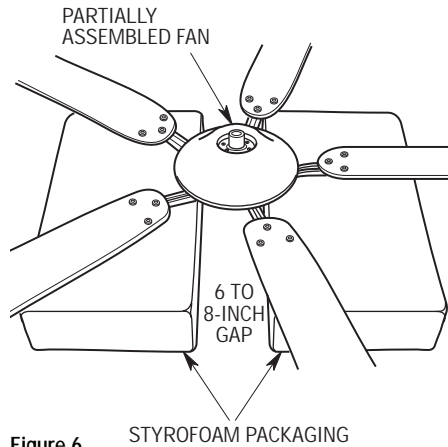


Figure 6

- 11. Remove the hanger ball by loosening the setscrew in the hanger ball until the ball falls freely down the downrod (Figure 7). Remove the pin from the downrod, then remove the hanger ball. Retain the pin and hanger ball for reinstallation in step 16.

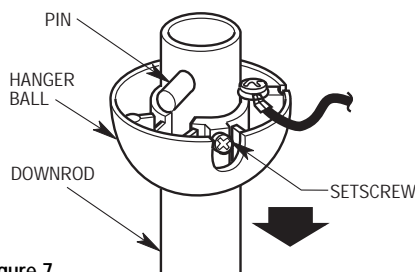


Figure 7

**NOTE:** If you have an eight-foot ceiling, you will have to use the 8" downrod (supplied) in order to maintain the necessary blade-to-floor clearance of seven feet.

- 12. Unscrew the two upper setscrews (Figure 8) until they clear the inside of the motor coupling. Then separate, untwist and unkink the three 80" motor leads. Route the motor lead wires through the downrod. Align the clevis pin holes in the downrod with the holes in the motor coupling. Install the clevis pin and secure with the hairpin clip (Figure 8). The clevis pin must go through the holes in the motor coupling and the holes in the downrod. Be sure to push the straight leg of the hairpin clip through the hole near the end of the clevis pin until the curved portion of the hairpin clip snaps around the clevis pin. The hairpin clip must be properly installed to prevent the clevis pin from working loose. Pull up on the downrod to make sure the clevis pin is properly installed.

- 13. Tighten the two upper setscrews (Figure 8) securely while pulling up on the downrod.

**NOTE: The setscrews must be properly installed as described above, or fan wobble could result.**

- 14. Position the three scrolls on the decorative coupling cover so that they are vertical, then tighten the nuts on the inside of the coupling cover. Make sure the grommet is properly installed in the decorative coupling cover, then slide the coupling cover over the downrod until it rests on the motor housing (Figure 9).

**NOTE: If you installed the 8" downrod, the decorative downrod scroll will not be installed. Disregard step 15 and proceed to step 16.**

**⚠ WARNING**  
 It is critical that the clevis pin in the motor coupling is properly installed and the setscrew securely tightened. Failure to verify that the pin and setscrew are properly installed (as shown in Figure 8) could result in the fan falling.

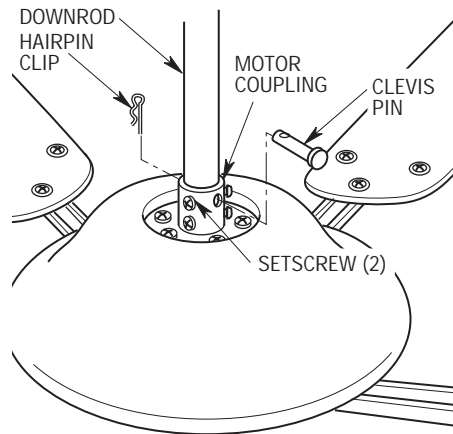


Figure 8

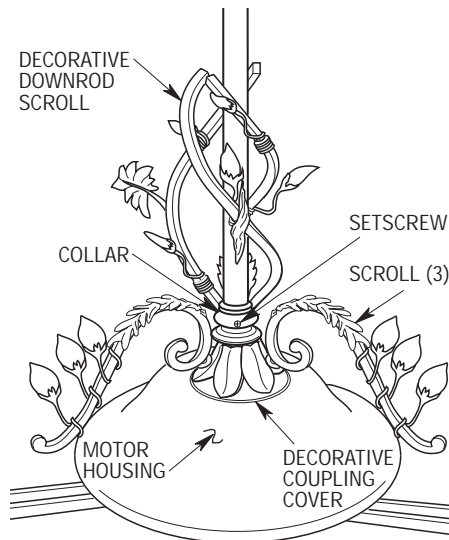


Figure 9

- 15. Using the hex wrench (supplied), unscrew the setscrew in the decorative downrod scroll collar until it clears the inside of the collar. Slide the collar over the downrod (Figure 9), until it rests on the coupling cover, then tighten the setscrew.



**⚠ WARNING**  
 It is critical that the pin in the hanger ball is properly installed and the setscrew securely tightened. Failure to verify that the pin and setscrew are properly installed could result in the fan falling.

- 16. Place the ceiling cover over the downrod. Then reinstall the hanger ball (Figure 10) on the downrod as follows. Route the three 80" motor leads through the hanger ball and slide the hanger ball over the downrod. Position the pin through the two holes in the downrod and align the hanger ball so the pin is captured in the groove in the top of the hanger ball. Pull the hanger ball up tight against the pin and securely tighten the setscrew in the hanger ball. A loose setscrew could create fan wobble.

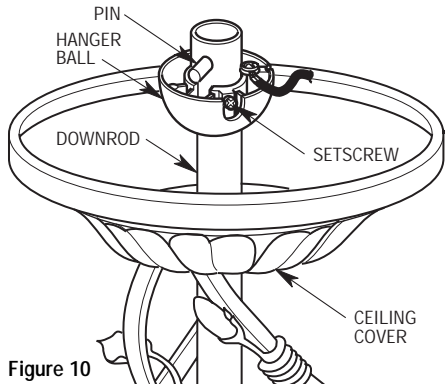


Figure 10

- 17. The fan comes with blue, black and white leads that are 80" long. Before installing the fan, measure up approximately 6 to 9-inches above top of hanger ball/downrod assembly. Cut off excess leads and strip back insulation 1/2" from end of leads.
- 18. You have now completed the initial assembly of your new ceiling fan. You can now proceed with hanging and wiring your fan.

## How to Hang Your Ceiling Fan

**⚠ WARNING**  
 The fan must be hung with at least 7' of clearance from floor to blades (Figure 11).

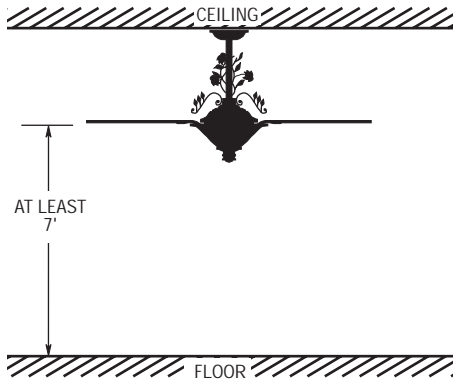


Figure 11

**⚠ WARNING**  
 The outlet box and joist must be securely mounted and capable of supporting at least 50 lbs. Use only a U.L. outlet box listed as "Acceptable for Fan Support".

**⚠ WARNING**  
 To reduce the risk of fire, electric shock, or personal injury, mount fan to outlet box marked "Acceptable for Fan Support", and use screws supplied with outlet box. Most outlet boxes commonly used for support of light fixtures are not acceptable for fan support and may need to be replaced. Consult a qualified electrician if in doubt.

- 1. Securely attach the hanger bracket to the outlet box using the two screws supplied with the outlet box (Figure 12).

**⚠ WARNING**

Hanger bracket must seat firmly against outlet box. If the outlet box is recessed, remove wall board until bracket contacts box. If bracket and/or outlet box are not securely attached, the fan could wobble or fall.

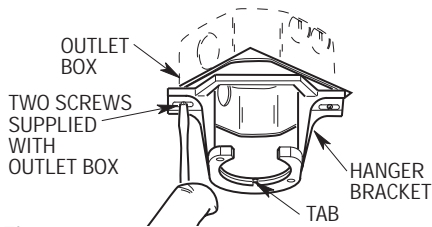


Figure 12

**⚠ WARNING**

Failure to seat tab in groove could cause damage to electrical wires and possible shock or fire hazard.

NOTE: CEILING COVER, SUPPLY WIRES AND FAN WIRES OMITTED FOR CLARITY.

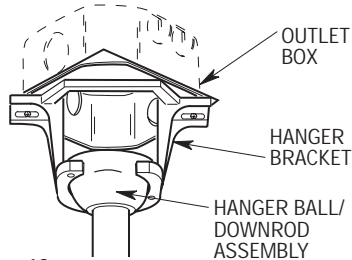


Figure 13

- 2. Carefully lift the fan and seat the hanger ball/downrod assembly on the hanger bracket that was just attached to the outlet box (Figure 13). Be sure the groove in the ball is lined up with the tab on the hanger bracket (Figure 12).

**⚠ WARNING**

To avoid possible fire or shock, do not pinch wires between the hanger ball/downrod assembly and hanger bracket.

## How to Wire Your Ceiling Fan

If you feel that you do not have enough electrical wiring knowledge or experience, have your fan installed by a licensed electrician.

**⚠ WARNING**

Turning off wall switch is not sufficient. To avoid possible electrical shock, be sure electricity is turned off at the main fuse box before wiring. All wiring must be in accordance with National and Local codes and the ceiling fan must be properly grounded as a precaution against possible electrical shock.

**CAUTION:** To reduce the risk of electrical shock, disconnect the electrical supply circuit before installing the fan, light kit or receiver.

1. Position the supply wires to the left side of the outlet box (Figure 14); position the fan wires to the right side. Partially insert the remote control receiver (flat side up) until one end rests on the hanger ball as shown in Figure 14.

**NOTE:** Make all wiring connections using wire connectors (supplied). Make sure that all connections are tight,

including ground, and that no bare wire is visible at the wire connectors, except for the ground wire.

2. Refer to Figures 14 and 15 and connect the receiver wires to the supply wires and the fan motor wires as follows:
  - a. Securely connect the green grounding wires from the hanger ball and the hanger bracket to the supply grounding conductor (this may be a bare wire or a wire with green insulation).
  - b. Securely connect the supply white (neutral) wire to the receiver white (AC IN N) wire.
  - c. Securely connect the supply black wire (hot) wire to the receiver black (AC IN L) wire.
  - d. Securely connect the fan motor white wire to the receiver white (TO MOTOR N) wire.
  - e. Securely connect the fan motor black wire to the receiver red (TO MOTOR L) wire.
  - f. Securely connect the fan motor blue wire to the receiver blue (FOR LIGHT) wire.

**⚠ WARNING**

Check to see that all connections are tight, including ground, and that no bare wire is visible at the wire connectors, except for the ground wire. Do not operate fan until blades are in place. Noise and fan damage could result.

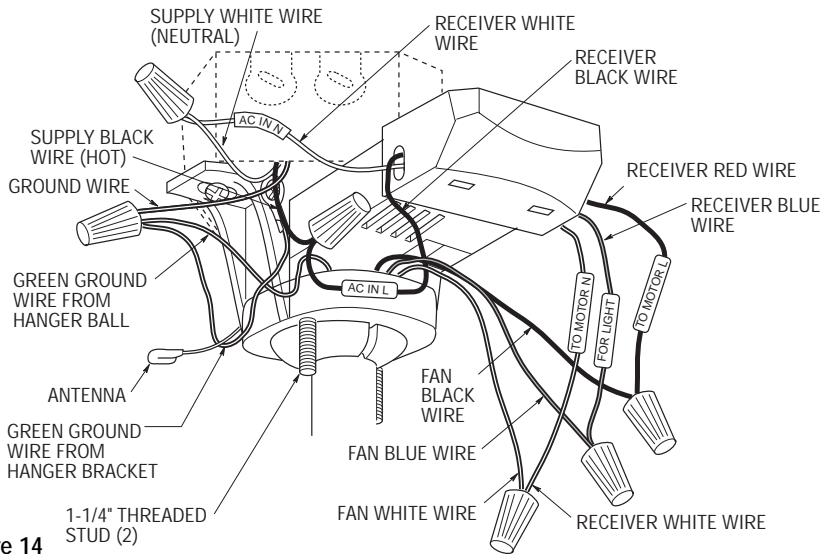


Figure 14

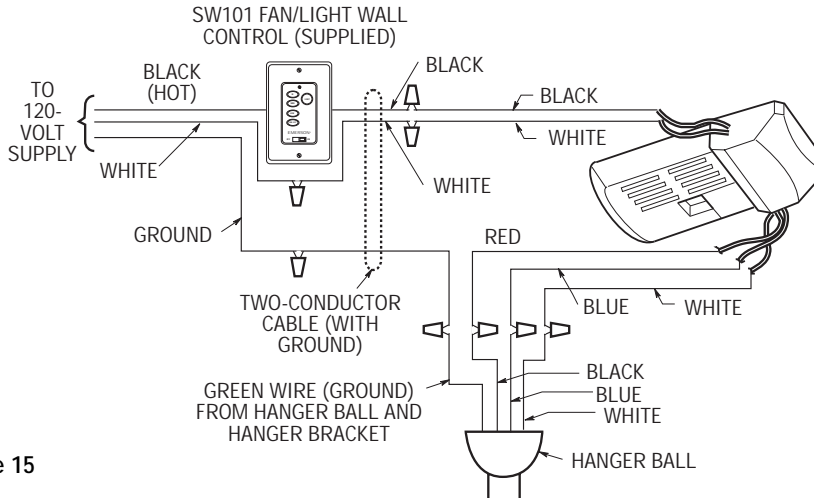


Figure 15

- 3. Push the wires and connectors up into the outlet box while inserting the receiver fully into the hanger bracket. Position the antenna wire on top of the receiver.
- 4. Screw the two 1-1/4" threaded studs (supplied) into the tapped holes in the hanger bracket (Figure 14).
- 5. Lift the ceiling cover up to the threaded studs and turn until the studs protrude through the holes in the ceiling cover (Figure 16).
- 6. Secure the ceiling cover in place by sliding lockwashers (supplied) over the threaded studs and installing the two knurled knobs (supplied). (Figure 16). Tighten the knurled knobs securely

**⚠ WARNING**

**To avoid possible fire or shock, make sure that the electrical wires are completely inside the outlet box and not pinched between the ceiling cover and the ceiling.**

- 7. Screw in three 40-watt (maximum) candelabra bulbs in the light fitter sockets (Figure 17). Carefully place the lower glass over the light fitter threaded nipple. Be sure the glass is firmly seated on the fitter, then secure in place using a rubber washer, metal washer, and 1/8-27 nut (washers and nut are supplied).
- 8. Place the decorative cap over the threaded nipple and then screw on the finial nut (Figure 17).
- 9. Your ceiling fan is now installed and wired to be controlled by your fan/light wall control.

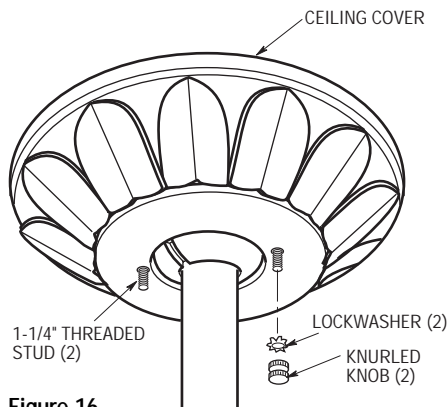


Figure 16

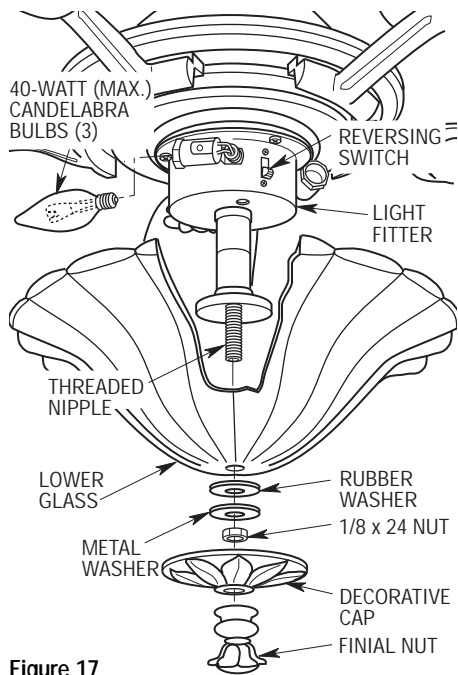


Figure 17

### Setting Operating Frequency of Wall Control and Receiver (Figure 18)

Your wall control and receiver have code switches which must be set in one of 16 possible code combinations. The four levers (numbered 1, 2, 3, and 4) on the switches are factory-set in the ON (up) position. Change the switch settings as follows:

- 1. Slide the four switch levers in the wall control to your choice of ON (up) or down positions. Use a ball-point pen or small screwdriver and slide the levers firmly up or down.
- 2. In the receiver, slide the four switch levers to the same positions as set in the wall control. Make sure the levers on both switches are in the same positions, otherwise the fan will not operate.

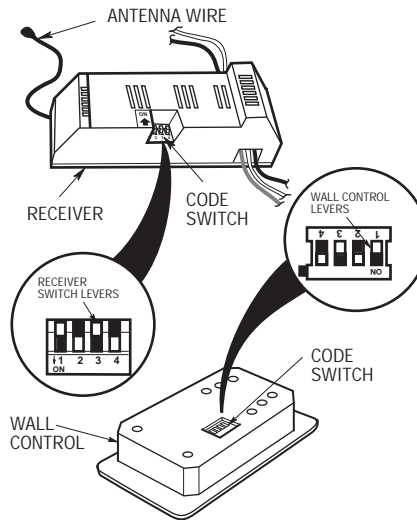


Figure 18

## Installation of Wall Control

### SINGLE-POLE INSTALLATION (Figure 19)

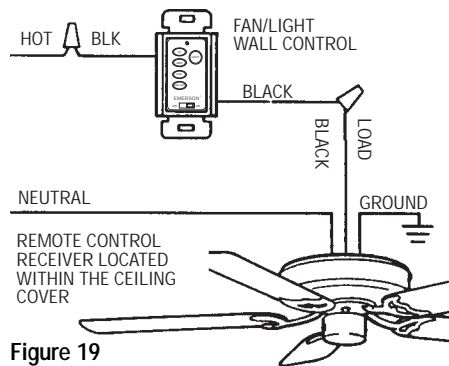


Figure 19

- 1. Disconnect power at circuit breaker or remove fuse.
- 2. Remove faceplate and screws from existing wall control. Pull control out from the wall box. Determine the "hot" wire and the "load" wire and disconnect these wires from control. Do not attempt to disconnect any wires not already connected to existing control.
- 3. Before installing wall control, place wall control in "OFF" mode by pushing "ON/OFF" switch to the "OFF" position.

**⚠ WARNING**  
**Do not connect any neutral (white) wire to this control. Incorrect wiring will damage this control.**

- 4. Connect one black wire of wall control to the “hot” wire. Securely connect wires with wire connectors supplied (Figure 20).
- 5. Connect one black wire of wall switch to the “load” (black) wire in wall box. Securely connect wires with wire connector supplied.
- 6. Screw wall control into wall box and install decorator style faceplate (included). Leave wall control in “OFF” mode until fan installation is completed.
- 7. Refer to page 5 and complete the ceiling fan installation.

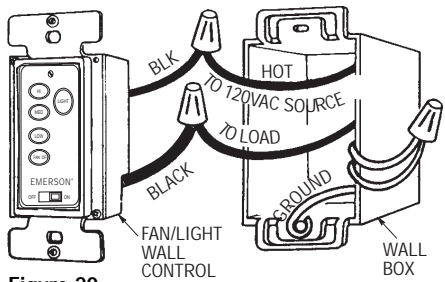


Figure 20

### 3-WAY INSTALLATION

(On fan controlled by two different wall controls) (See Figures 21 and 22.)

- 1. Disconnect power at circuit breaker or remove fuse.
- 2. At all wall box locations remove faceplates and screws from existing controls. Pull controls out from wall boxes and determine which wall box contains the “hot” lead and which wall box contains the “load” wire. Also, identify traveler wires which are common to both wall boxes. Disconnect wires from existing controls only. Do not attempt to disconnect any wires not already connected to existing controls.

- 3. Before installing wall control, place wall control in “OFF” mode by pushing “ON/OFF” switch to the “OFF” position.

**⚠ WARNING**  
**Do not connect any neutral (white) wire to this control. Incorrect wiring will damage this control.**

- 4. Install a wall control in the wall box containing the “hot” wire first. Connect the black wire of the wall control to the “hot” wire. Securely connect wires with wire connectors supplied.
- 5. Connect one black wire of the wall control to both remaining traveler wires in the wall box and secure with wire connector supplied.

**NOTE: Retrofit 3-way installations are likely to include two traveler wires between the two wall boxes. In new construction, only one traveler wire is required.**

### 3-WAY WIRING DIAGRAM: NEW CONSTRUCTION

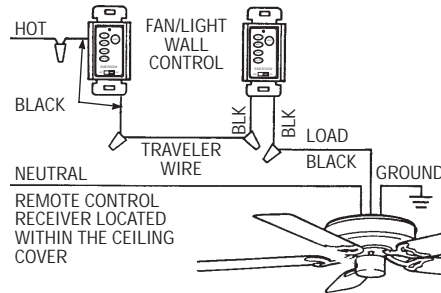
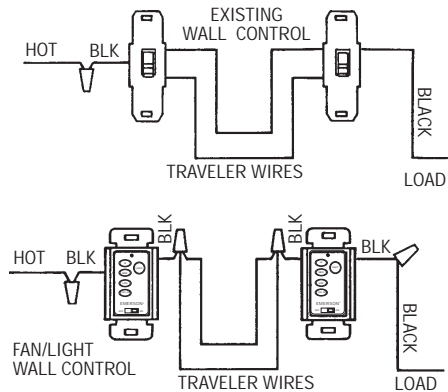


Figure 21

- 6. Place wall control into wall box. Screw in place and install decorator style faceplate (included).
- 7. Next, install the other wall control into the wall box containing the load wire. Connect the black wire of the wall control to the traveler wire(s) already connected to the black wire (in the other wall box). Secure with wire connectors supplied.
- 8. Connect one black wire of the wall control to the “load” (black) wire and secure with wire connector supplied.

- 9. Place the second wall control into the wall box. Screw in place and install decorator style faceplate (included). Leave switch in "OFF" mode until fan installation is completed.
- 10. Refer to page 5 and complete the ceiling fan installation .
- 3. To turn your fan off, press the OFF button.
- 4. To set the level of light brightness, press and hold the LIGHT button. The light brightness will continue to increase then decrease while the button is held down. When the light is at the desired brightness, release the button.

**STANDARD WIRING FOR EXISTING 3-WAY CONTROL**



- 5. To turn the light on and off, press and release the LIGHT button. The light will turn on at the light level previously set (see step 4).
- 6. If airflow is desired in the opposite direction, turn the fan off and wait for the blades to stop turning. Remove the lower glass (Figure 17), then slide the reversing switch (located on the light fitter) to the opposite position and turn the fan on again. The blades will turn in the opposite direction and reverse the airflow.

Figure 22

**Operating Your Ceiling Fan**

**IMPORTANT**

**Fan installation must be completed, including the installation of the fan blades, before testing of the remote control.**

Your Fan/Light Wall Control (Figure 23) has full control of your fan and light. However, airflow direction is controlled by a slide switch on the light fitter.

- 1. Restore electrical power to the outlet box by turning the electricity on at the service panel.

**NOTE: Make sure that the ON/OFF slide switch on the Fan/Light Wall Control is in the ON position.**

- 2. To set the desired fan speed, press the HI, MED, or LOW buttons to operate your fan on high, medium, or low speed (Figure 23).

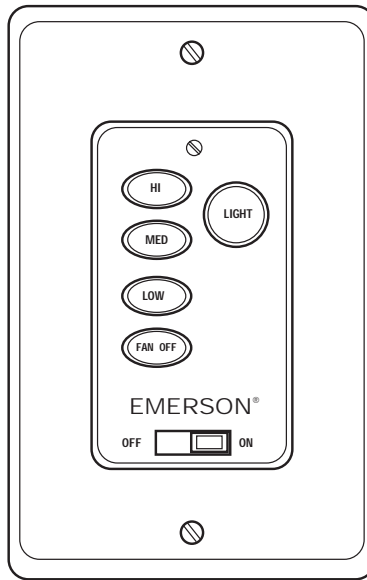


Figure 23

## Maintenance

### IMPORTANT CARE INSTRUCTIONS for your Ceiling Fan

Periodic cleaning of your new ceiling fan is the only maintenance that is needed.

When cleaning, use only a soft brush or lint free cloth to avoid scratching the finish.

Abrasive cleaning agents are not required and should be avoided to prevent damage to finish.

**! WARNING**  
 Do not use water when cleaning your ceiling fan. It could damage the motor or the blades and create the possibility of an electrical shock.

## Accessories

- 1. Downrod Extension Kits (see store or catalog).
- 2. Ceiling Fan Controls (see store or catalog).

**! WARNING**  
 The use of any other control not specifically approved for this fan could result in fire, shock and personal injury.

**! WARNING**  
 This product is designed to use only those parts supplied with this product and/or any accessories designated specifically for use with this product by Emerson Electric Co. Substitution of parts or accessories not designated for use with this product by Emerson Electric Co. could result in personal injury or property damage.

**INSTRUCTION TO THE USER**  
 (if device contains a digital device)

This equipment has been tested and found to comply with the limits for a Class B digital device, pursuant to part 15 of the FCC Rules. These limits are designed to provide reasonable protection against harmful interference in a residential installation. This equipment generates, uses and can radiate radio frequency energy and if not installed and used in accordance with the instructions, may cause harmful interference to radio communications. However, there is no guarantee that interference will not occur in a particular installation. If this equipment does cause harmful interference to radio or television reception, which can be determined by turning the equipment off and on, the user is encouraged to try to correct the interference by one or more of the following measures:

- Reorient or relocate the receiving antenna.
- Increase the separation between the equipment and receiver.
- Connect the equipment into an outlet on a circuit different from that to which the receiver is connected.
- Consult the dealer or an experienced radio/TV technician for help.

This equipment has been certified to comply with the limits for a Class B computing device, pursuant to FCC Rules. In order to maintain compliance with FCC regulations, shielded cables must be used with this equipment. Operation with non-approved equipment or unshielded cables is likely to result in interference to radio and TV reception. The user is cautioned that changes and modifications made to the equipment without the approval of manufacturer could void the user's authority to operate this equipment.

This Class B digital apparatus meets all requirements of the Canadian Interference-Causing Equipment Regulations.

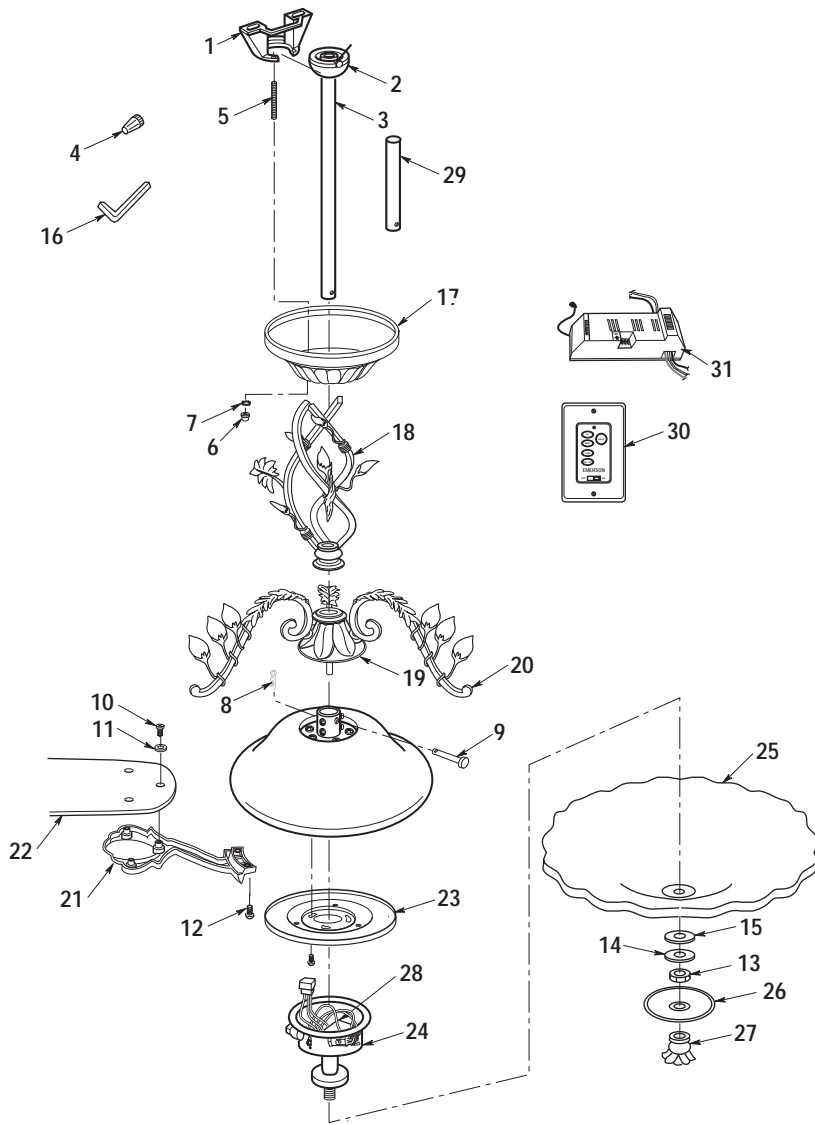


**▲ WARNING: FOR YOUR OWN SAFETY TURN OFF POWER AT FUSE BOX OR CIRCUIT BREAKER BEFORE TROUBLE SHOOTING YOUR FAN.**

### Trouble Shooting

TROUBLE	PROBABLE CAUSE	SUGGESTED REMEDY
<b>1. Fan will not start.</b>	1. Fuse or circuit breaker blown.  2. Loose power line connections to the fan. 3. Fan/Light Wall Control is OFF. 4. Code switches in remote control receiver and Fan/Light Wall Control are not set in the same position.	1. Check main and branch circuit fuses or circuit breakers. <b>▲ WARNING: Make sure main power is turned off.</b> 2. Check line power connections to fan. 3. Turn ON Fan/Light Wall Control. 4. Check that both code switches are set in the same positions.
<b>2. Fan sounds noisy.</b>	1. Blades not attached to fan.  2. Screws securing fan blade flanges to motor are loose.  3. Screws holding blades to flanges are loose.	1. Attach blades to fan before operating. 2. Check to make sure the screws which attach the blade flanges to the motor are tight. 3. Tighten screws securely.
<b>3. Fan wobbles excessively.</b>	1. Setscrews in motor coupling are not tightened securely.  2. Setscrew in the hanger ball/downrod assembly is loose. 3. Screws securing fan blade flanges to motor are loose.  4. Fan blade flanges not seated properly.  5. Hanger bracket and/or ceiling outlet box is not securely fastened.  6. Fan blades out of balance.	1. Raise decorative downrod cover and coupling cover and tighten setscrews securely. 2. Tighten the setscrew in the hanger ball/downrod assembly. 3. Check to be sure screws which attach the fan blade flanges to the motor are tight. 4. Check to be sure that the screws securing the fan blade flanges seat firmly. 5. Tighten the hanger bracket screws to the outlet box, and/or secure outlet box. 6. Interchanging an adjacent (side by-side) blade pair can redistribute the weight and result in smoother operation. Or use supplied balancing kit to balance blades.

### Repair Parts



**Before discarding packaging material, be certain all parts have been removed.**

#### HOW TO ORDER REPAIR PARTS

WHEN ORDERING REPAIR PARTS, ALWAYS GIVE THE FOLLOWING INFORMATION:

- PART NUMBER
- NAME OF ITEM
- PART DESCRIPTION
- MODEL NUMBER

The model number of your Fan will be found on a label attached to the top housing.  
For repair parts, phone 1-800-654-3545.

## Repair Parts Listing

Key No.	Description	Part Numbers
		Model No. CF240ATB00
*	Hanger Pack, Consisting of:	761655-53
1	Hanger Bracket	—
2	Hanger Ball	—
3	Downrod (16")	—
*	Parts Bag, Containing:	763046
4	Wire Connector (7)	—
5	Threaded Stud, 8-32 x 1-1/4" (2)	—
6	Knurled Knob (2)	—
7	Lockwasher (2)	—
8	Hairpin Clip	—
9	Clevis Pin	—
10	Screw, Truss Head, 10-24 x 8mm (16)	—
11	Washer, Flat (16)	—
12	Screw, Oval Head, 1/4-20 x 13mm (11)	—
13	Nut, 1/8-27	—
14	Washer, Flat	—
15	Washer, Rubber	—
16	Wrench, Hex	—
17	Cover, Ceiling	763004-ATB
18	Downrod Scroll, Decorative	763007-ATB
19	Coupling Cover, Decorative	763005-ATB
20	Lower Scroll, Decorative (3)	763006-ATB
21	Flange Set (full set for one fan)	763010-ATB
22	Blade Set (full set for one fan)	762635-16
23	Adapter, Light Fitter	763013-ATB
24	Fitter Assembly, Light	763014
25	Glass, Lower	763016
26	Cap, Decorative	763019-ATB
27	Nut, Finial	763020-ATB
28	Harness Assembly, Wiring	763023
29	Downrod, 8"	761631-63
30	Wall Control, Fan/Light	762348-1
31	Receiver, Remote Control	762670-4
—	Owner's Manual	BP7359-1

## LIMITED WARRANTY

### What The Warranty Covers:

This warranty covers the motor and the other components and accessories of your Emerson Electric Co. ceiling fan against all defects in workmanship and materials. You must be the original purchaser or user of the product to be covered.

### What The Period Of Coverage Is:

As it applies to the motor, this warranty will last for a lifetime of your ceiling fan. All other components and accessories are covered by this warranty for one year from the date you purchased your ceiling fan. ANY IMPLIED WARRANTY OF MERCHANTABILITY OR FITNESS FOR A PARTICULAR PURPOSE, MADE WITH RESPECT TO COMPONENTS AND ACCESSORIES IS ALSO LIMITED TO ONE YEAR.

### What Will Emerson Electric Co. Do To Correct Problems:

Emerson Electric Co. will replace a defective Emerson Air Comfort Ceiling Fan motor, blade, component or other accessory at no charge to you. If repair of the motor or blades is not practical or possible within a reasonable time and no replacement can be provided, Emerson Electric Co. will refund the actual purchase price of your fan. We will ship the repaired product or replacement to you at no charge, but you are responsible for all costs or removal, reinstallation and shipping of the product to Emerson Electric Co.

### How Can You Get Service:

YOU MUST HAVE PROOF OF YOUR PURCHASE OF THE CEILING FAN TO OBTAIN LIMITED WARRANTY SERVICE. KEEP YOUR RECEIPT OR OTHER PROOF OF PURCHASE. You can return the product to our factory or to your nearest authorized service center.

- To return the product to the factory, obtain a return authorization and service identification tag by writing to Air Comfort Products, Division of Emerson Electric Co., 8100 W. Florissant Ave., St. Louis, MO 63136. Include all model numbers shown on the product with your request.
- To return the product to an authorized service center, call 1-800-654-3545 for the address of the nearest authorized service center.

You will be responsible for all insurance, freight or other transportation charges to our factory or authorized service center. Your Emerson Air Comfort Ceiling Fan should be properly packed to avoid damage in transit since we will not be responsible for any such damage.

### What Is Not Covered:

The glass globes and light bulbs of your ceiling fan are not covered by this warranty. This warranty also does not cover any defects, malfunctions or failures caused by:

- Repairs by persons not authorized by Emerson Electric Co.,
- Use of parts or accessories not authorized by Emerson Electric Co.,
- Mishandling, improper installation, modifications or damage to your ceiling fan while in your possession, or
- Unreasonable use, misuse, abuse, including failing to do reasonable and necessary maintenance, and normal wear and tear.
- Additionally, this warranty and any implied warranty of merchantability or fitness for a particular purpose are voided when:
  - The original purchaser or user ceases to own the product, or
  - The fan is moved from its original point of installation.

This warranty is only valid within the 50 states of the United States and the District of Columbia. No other written or oral warranties apply, and no employee, agent, dealer or other person is authorized to give any warranties on behalf of Emerson Electric Co.

REPAIR, REPLACEMENT OR A REFUND ARE THE EXCLUSIVE REMEDIES AVAILABLE UNDER THIS WARRANTY AND EMERSON ELECTRIC CO. IS NOT RESPONSIBLE FOR DAMAGES OF ANY KIND, INCLUDING INCIDENTAL AND CONSEQUENTIAL DAMAGES. Incidental damages include but are not limited to such damages as loss of time and loss of use. Consequential damages include but are not limited to the cost of repairing or replacing other property which was damaged if this product does not work properly.

### How State Law Relates To The Warranty:

Some states do not allow the exclusion or limitation of incidental or consequential damages so the above exclusion or limitation may not apply to you. This warranty gives you specific legal rights, and you may also have other rights which vary from state to state.



# EMERSON™

**Air Comfort Products**  
**DIVISION OF EMERSON ELECTRIC CO.**  
**8100 W. Florissant • St. Louis, MO 63136**

Part No. F40BP73590001

Printed in China 09/07

Form No. BP7359-1  
 U.L. Model No.: CF240